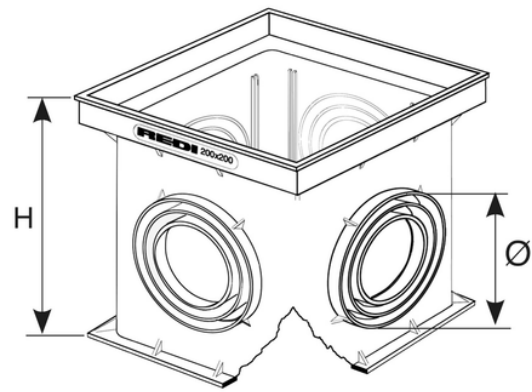


Bottomless extension PP

Material: Polypropylene

Use:

- Extension
- leaking chamber for underground disposal of rain water
- inspection chamber for irrigation plants
- connector block for electric systems.



Reference	tooltiplmage	RAL	H (mm)	Dim (mm)	Ø Outlet	Material
Y332004	-	7035	200	200x200	63;82;100	PP
Y312104	-	7035	200	200x200	75;90;110	PP
Y313104	-	7035	297	300x300	75;90;110;125;160	PP
Y333004	-	7035	297	300x300	82;100;125;140	PP
Y334004	-	7035	397	400x400	100;125;140;160;200;250	PP
Y335504	-	7035	520	550x550	160;200;250;315	PP