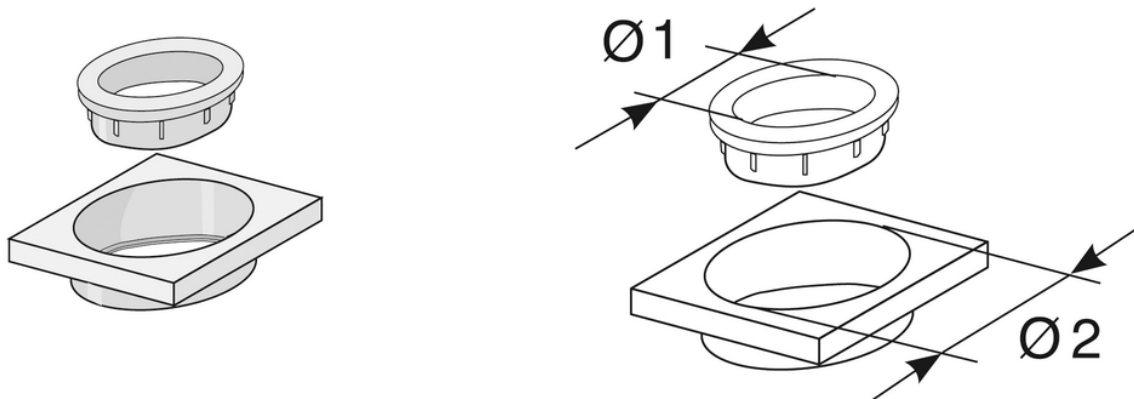


# Spare part: Round adaptor (horizontal outlet)

Spare parts for rainwater gully



Reference	tooltiplmage	RAL	Ø1 (mm)	Ø2 (mm)	Type
Y6677PO	-	7035	75	110	Two components
Y6688PO	-	7035	80	100	Two components