

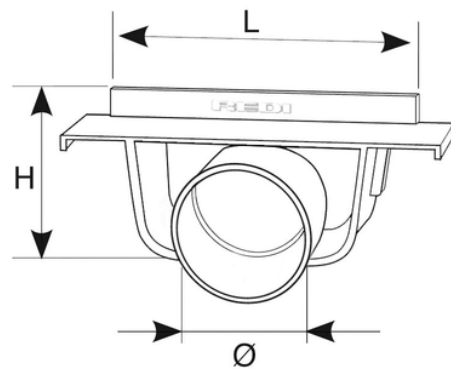
100 End cap-outlet LOW

Linear evacuation by superficial drainage channels with grills.

These channels can be placed in flat open areas without digging limitations. Suitable for pedestrian areas.

Material: PVC.

Use: end cap for channel 100 (easy-to-open outlet).



Reference	tooltiplmage	RAL	H (mm)	Ø (mm)	L (mm)	Material
E1710B4	-	7035	50	50	100	PVC