

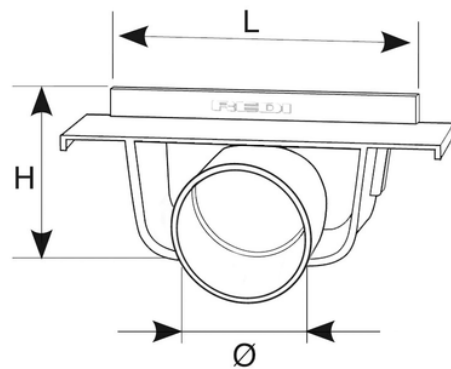
# 130 End cap outlet LOW

Linear evacuation by superficial drainage channels with grills.

These channels can be placed in flat open areas without digging limitations. Suitable for pedestrian areas.

Material: PVC

Use: end cap for channel 130 (easy-to-open outlet).



Reference	tooltiplmage	RAL	H (mm)	Ø (mm)	L (mm)	Material
E1713B4	-	7035	67	40	130	PVC