

130 junction channel LOW

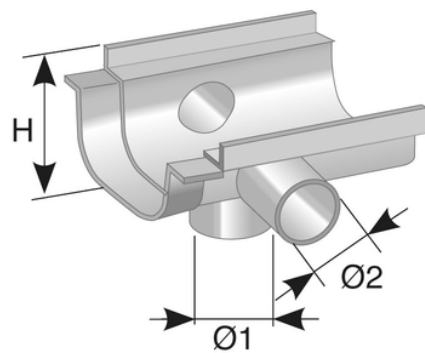
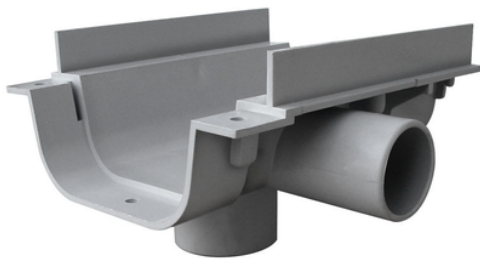
Linear evacuation by superficial drainage channels with grills.

These channels can be placed in flat open areas without digging limitations. Suitable for pedestrian areas.

Material: PVC.

Use: junction and drainage component for low channels 130 mm (easy-to-open outlet).

N.B. Use solvent cement for PVC to weld the channels (Reference COLLA00 - COLLA25 - COLLA12).



Reference	tooltiplmage	RAL	H (mm)	Ø1 (mm)	Ø2 (mm)	Material
E1613B4	-	7035	70	50	40	PVC