

130 High modular channel

Linear evacuation by superficial drainage channels with grills.

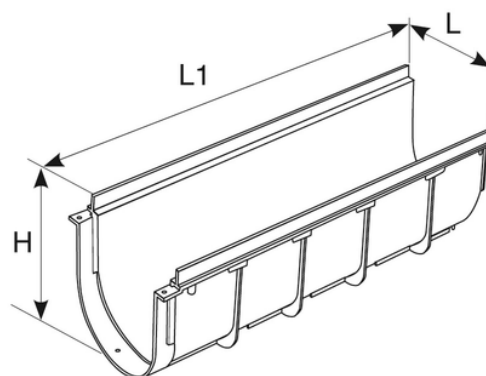
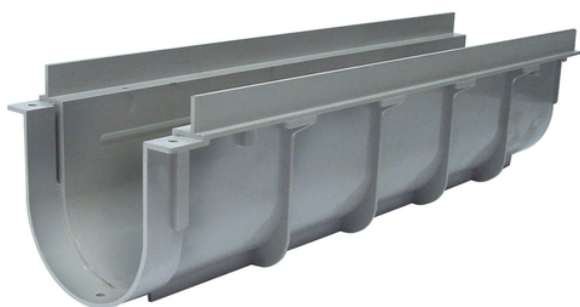
These channels can be placed in flat open areas without digging limitations. To use in garages, yards, terraces, outdoor areas and public bathrooms and lavatories (gymnasium, etc.)Material: PVC.

Marking: CE.

Features:

- self supporting
- modular joint by pins
- possibility to glue the components to ensure water tightness
- preset for cover screw fastening
- possibility to glue the components to ensure water tightness.

N.B. Use solvent cement for PVC to weld the channels (Reference COLLA00 - COLLA25 - COLLA12).



Reference	tooltiplmage	RAL	H (mm)	L (mm)	L1 (mm)	Material
E1813A4	-	7035	134	130	500	PVC