

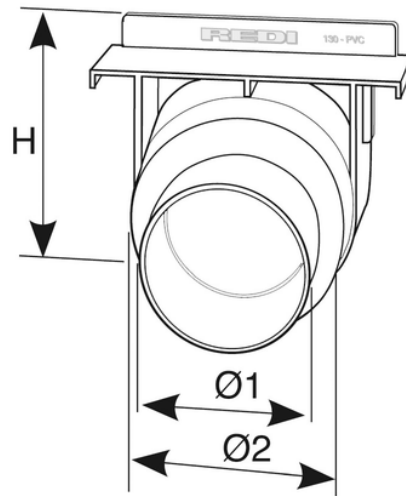
# 130 End cap-outlet HIGH

Linear evacuation by superficial drainage channels with grills.

These channels can be placed in flat open areas without digging limitations. Suitable for pedestrian areas.

Material: PVC

Use: End cap for channel 130 (easy-to-open outlet).



Reference	tooltiplmage	RAL	H (mm)	Ø1 (mm)	Ø2 (mm)	Material
E1711A4	-	7035	131	75	110	PVC
E1713A4	-	7035	131	80	100	PVC