

200 modular channel HIGH

Linear evacuation by superficial drainage channels with grills. These channels can be placed in flat open areas without digging limitations. To use in garages, yards, terraces, balconies, other outdoor areas, public bathrooms and lavatories (gymnasiums, etc.).

Material: PVC

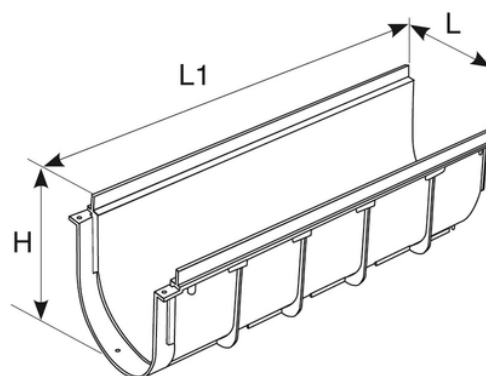
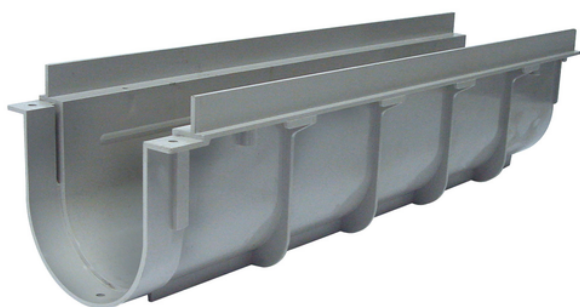
Marking: CE

Regulation: EN124 A15 Load class

Features:

- self-supporting
- modular coupling by pins
- possibility to glue the components to ensure a higher water tightness
- a cover can be fastened by means of self-threading screws (preset holes)

N.B. Use solvent cement for PVC to weld the channels (Reference COLLA00 - COLLA25 - COLLA12).



Reference	tooltiplmage	RAL	H (mm)	L (mm)	L1 (mm)	Material
E1820A4	-	7035	170	200	250	PVC