

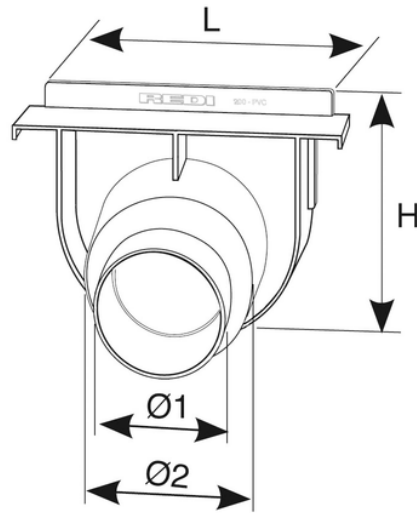
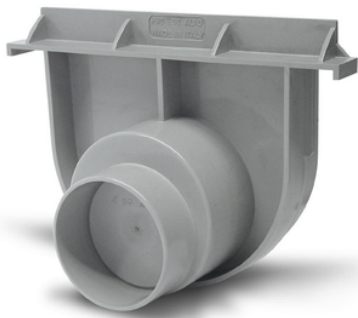
200 End cap-outlet HIGH

Linear evacuation by superficial drainage channels with grills.

These channels can be placed in flat open areas without digging limitations. Suitable for pedestrian areas.

Material: PVC

Use: end cap for high channels 200 (easy-to-open outlet)



Reference	tooltiplmage	RAL	H (mm)	L (mm)	Ø1 (mm)	Ø2 (mm)	Material
E1720A4	-	7035	170	200	80	100	PVC
E1722A4	-	7035	170	200	75	110	PVC