

Dry floor trap with vertical outlet (Body PVC)

Especially designed for balconies, terraces and in all cases of low concrete slabs.
Supplied with protection to permit easy installation.

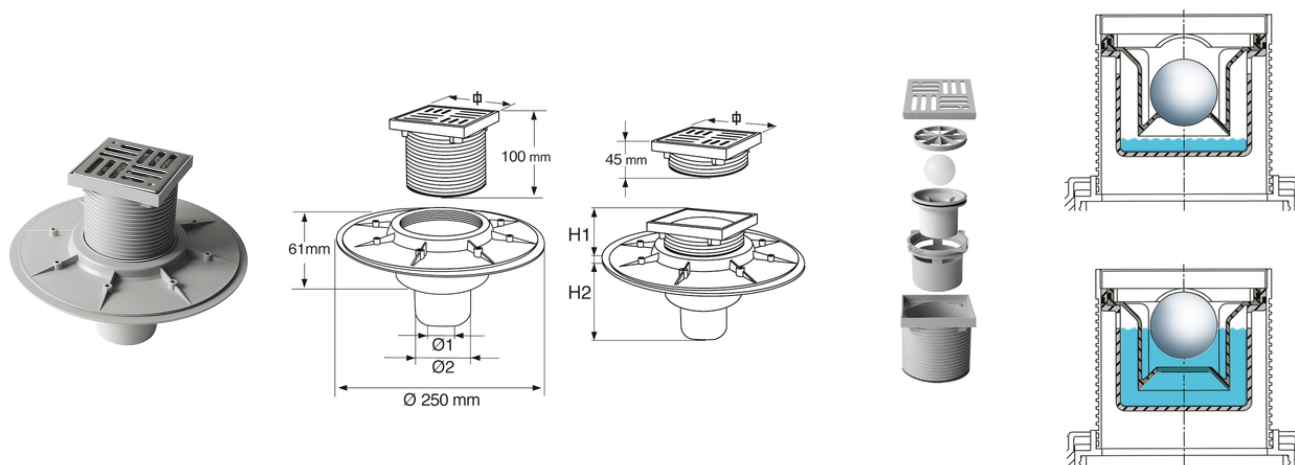
Advantages:

- adaptable height (minimum 76mm with low riser)
- 360° adjustable horizontal outlet and riser
- PVC body with horizontal outlet (can be connected by gluing or by push fit)
- dry floor trap (working even in case of hot temperature)
- internal inlets to gather infiltration
- patented solution

IT WORKS EVEN WITHOUT WATER!

The patented dry trap prevents any bad smell even without water seal.

All products can be classified in load class K3 in accordance with regulation EN 1253 (resistance >300 kg). All tests have been carried out at Aliaxis laboratories.



Reference	tooltiplmage	RAL	H (mm)	Dim (mm)	Ø1 (mm)	H2 (mm)	H1 mm Min	Ø2 (mm)	l/s	Material	Grill
EAS35AI	-	7035	61	100	50	115	45	75	< 0,6	PVC	Inox
EAS45AI	-	7035	61	150	50	115	61	75	< 0,6	PVC	Inox