

Dry floor trap with horizontal outlet (Body PVC)

Especially designed for balconies, terraces and in all cases of low concrete slabs. Supplied with protection to permit easy installation.

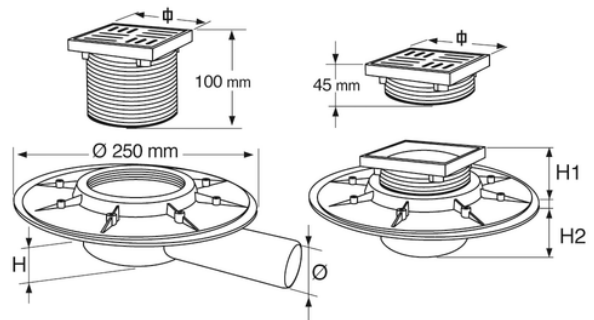
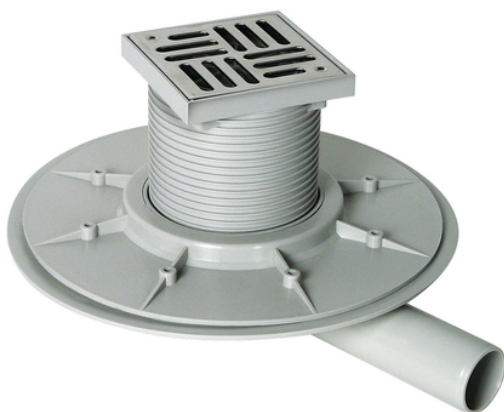
Advantages:

- adaptable height (minimum 76mm with low riser)
- 360° adjustable horizontal outlet and riser
- PVC body with horizontal outlet (can be connected by gluing or by push fit)
- dry floor trap (working even in case of hot temperature)
- internal inlets to gather infiltration
- patented solution

IT WORKS EVEN WITHOUT WATER!

The patented dry trap prevents any bad smell even without water seal.

All products can be classified in load class K3 in accordance with regulation EN 1253 (resistance >300 kg). All tests have been carried out at Aliaxis laboratories.



Reference	tootliplmage	RAL	H (mm)	Dim (mm)	Ø1 (mm)	H2 (mm)	H1 mm Min	l/s	Material	Grill
EAS14AI	-	7035	47	100	40	50	45	< 0,6	PVC	Inox
EAS14PP	-	7035	47	100	40	50	45	< 0,6	PVC	PP
EAS15AI	-	7035	56	100	50	60	45	< 0,6	PVC	Inox
EAS15PP	-	7035	56	100	50	60	45	< 0,6	PVC	PP
EAS24AI	-	7035	47	150	40	50	45	< 0,6	PVC	Inox
EAS24PP	-	7035	47	150	40	50	45	< 0,6	PVC	PP
EAS25AI	-	7035	56	150	50	60	45	< 0,6	PVC	Inox
EAS25PP	-	7035	56	150	50	60	45	< 0,6	PVC	PP