

PVC Floor drain (internal outlet)

Especially designed for public premises, balconies, industrial kitchens, public lavatories and in all cases a trapping action is required.

Material: PVC.

Use: to collect rain and waste water.

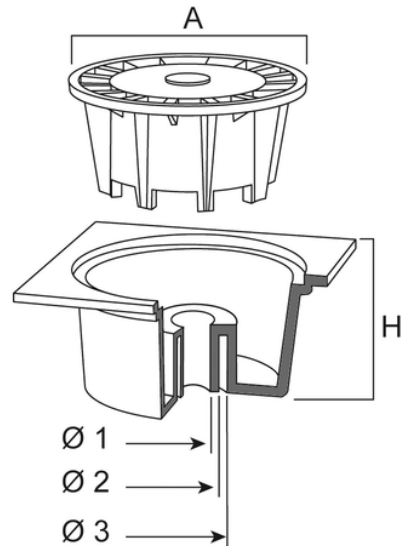
PVC specifications and structure design give this product a great resistance against atmospheric agents and ageing and ensure dimensional stability in time.

Advantages:

- easy inspection and cleaning
- internal, external and horizontal outlet versions available.

All products can be classified in load class K3 in accordance with regulation EN 1253 (resistance >300 kg). All tests have been carried out at Aliaxis laboratories.

Tested by CSTB.



Reference	tooltiplimage	RAL	A (mm)	H (mm)	Dim (mm)	Ø1 (mm)	Ø2 (mm)	diameter3Mm	IsDiameter1	IsDiameter2	IsDiameter3
E191004	-	7035	92	50	100	32	40	-	0,4	0,6	-
E191504	-	7035	138	63	150	40	50	63	0,7	0,8	0,8
E192004	-	7035	182	92	200	63	75	90	1,9	1,7	1,6
E192504	-	7035	182	92	200	63	75	100	1,9	1,6	1,6
E192604	-	7035	228	95	250	-	-	100	3	-	-
E193004	-	7035	228	95	300	-	-	100	3	-	-