

# PP Floor drain (internal outlet)

Especially designed for public premises, balconies, industrial kitchens, public lavatories and in all cases a trapping action is required.

Material: Polypropylene.

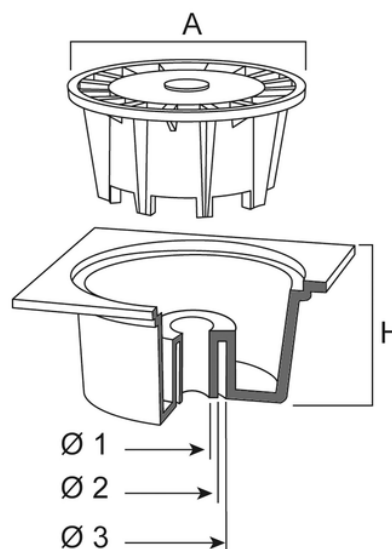
Use: to collect rain and waste water.

Advantages:

- easy inspection and cleaning
- internal, external and horizontal outlet versions available.

All products can be classified in load class K3 in accordance with regulation EN 1253 (resistance >300 kg). All tests have been carried out at Aliaxis laboratories.

Tested by CSTB.



Reference	tootiplimage	RAL	A (mm)	H (mm)	Ø (mm)	Dim (mm)	Ø1 (mm)	Ø2 (mm)	diameter3Mm	IsDiameter1	IsDiameter2	IsDiameter3
E195004	-	7035	92	50	32	100	40	40	-	0,4	0,6	-
E195504	-	7035	138	63	40	150	50	50	-	0,7	0,8	0,8
E196004	-	7035	182	92	-	200	80	80	100	1,4	-	-
E196104	-	7035	228	95	-	250	110	110	-	3	-	-
E196204	-	7035	228	95	-	250	100	100	-	3	-	-
E196304	-	7035	228	95	-	300	100	100	-	3	-	-
E196404	-	7035	228	95	-	300	110	110	-	3	-	-