

# PP Floor drain (external outlet)

Especially designed for public premises, balconies, industrial kitchens, public lavatories and in all cases a trapping action is required.

Material: Polypropylene.

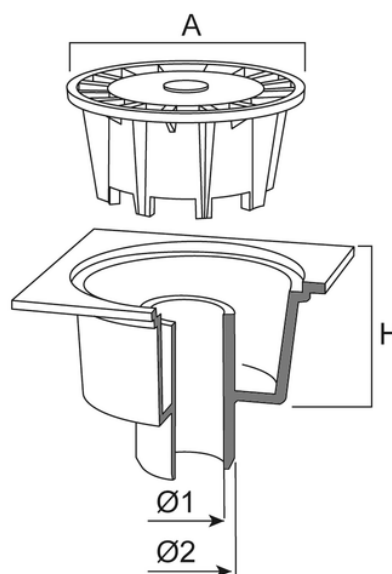
Use: to collect rain and waste water.

Advantages:

- easy inspection and cleaning
- internal, external and horizontal outlet versions available.

All products can be classified in load class K3 in accordance with regulation EN 1253 (resistance >300 kg). All tests have been carried out at Aliaxis laboratories.

Tested by CSTB.



Reference	tootliplage	RAL	A (mm)	H (mm)	Ø (mm)	Dim (mm)	l/s
EP75104	-	7035	177	83	80	200	1,5
EP75804	-	7035	130	59	50	150	-
EP75904	-	7035	130	65	50	200	-
EP76004	-	7035	177	83	75	200	1,6
EP76404	-	7035	177	83	110	200	1,6
EP76904	-	7035	177	83	110	250	1,5
EP77304	-	7035	177	83	100	300	1,5
EP95604	-	7035	92	61	50	100	0,8