

ABS Chromium plated floor drain with vertical outlet

Especially designed for public premises, balconies, industrial kitchens, public lavatories and in all cases a trapping action is required.

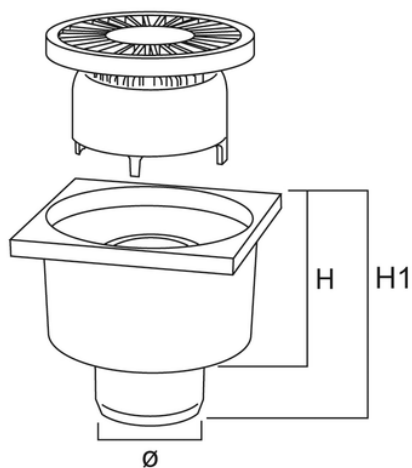
Tested by CSTB.

Material: ABS.

Use: to collect waste water. The chromium plated material meets with the aesthetical requirements while granting the same water flowability of plastics materials. We suggested not to use aggressive chemical cleaners because in long term could damage chromium plating.

Advantages: easy inspection thanks to the removable trapping bell.

All products can be classified in load class K3 in accordance with regulation EN 1253 (resistance >300 kg). All tests have been carried out at Aliaxis laboratories.



Reference	tooltiplmage	H (mm)	H1 (mm)	Ø (mm)	Dim (mm)	l/s
E2222CR	-	60	95	50	100	0,6
E2233CR	-	60	95	50	150	< 0,7