

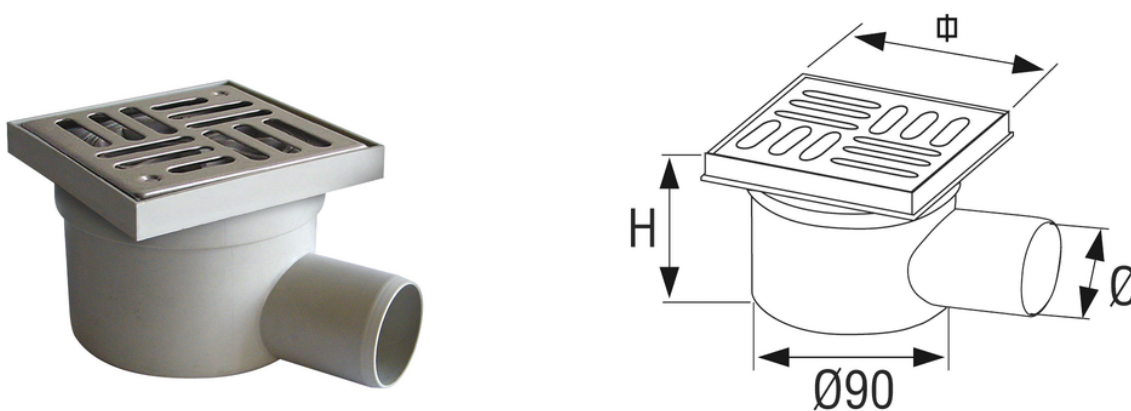
PP Trapped balcony floor drain with adjustable horizontal outlet

Especially designed for public premises, balconies, industrial kitchens, public lavatories and in all cases a trapping action is required.

Advantages:

- rotating grill
- easy inspection.

All products can be classified in load class K3 in accordance with regulation EN 1253 (resistance >300 kg). All tests have been carried out at Aliaxis laboratories.



Reference	tooltiplmage	RAL	H (mm)	Ø (mm)	Dim (mm)	l/s	Material	Grill
E224004	-	7035	80	40	100	< 0,6	PP	PP
E2240AI	-	7035	80	40	100	< 0,6	PP	Inox
E224504	-	7035	80	50	100	< 0,6	PP	PP
E2245AI	-	7035	80	50	100	< 0,6	PP	Inox