

PP High capacity floor drain 1 outlet, low version

Especially designed for yards, garages cellars and any areas where a high drainage capacity is required.

Material: Polypropylene

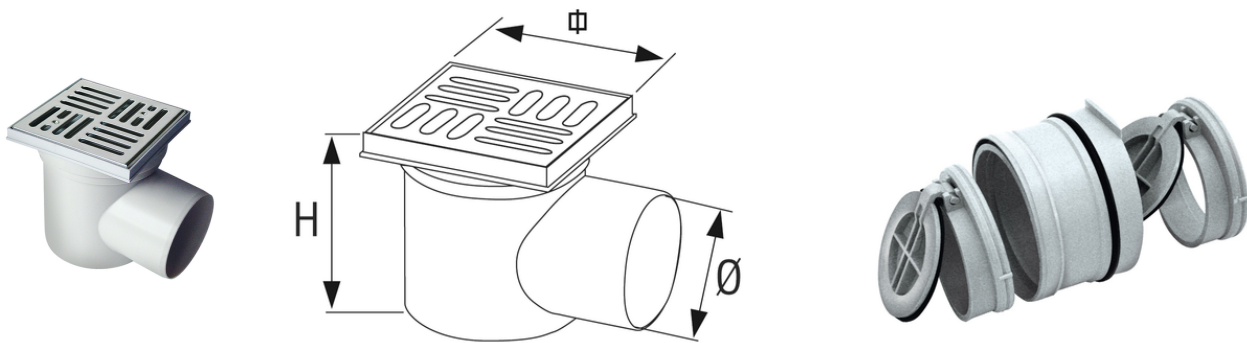
Grill 150x150 mm

Advantages:

- inspection basket
- easy inspection
- an anti-backflow device can be fitted in to prevent back flooding (ref. EDP1104).

All products can be classified in load class K3 in accordance with regulation EN 1253 (resistance >300 kg). All tests have been carried out at Aliaxis laboratories.

Notes: With non-return element included in the Codes EBAK4AI - EBAK3PP



Reference	tooltiplmage	RAL	H (mm)	Ø (mm)	Dim (mm)	l/s	Material	Grill
EBA11PP	-	7035	168	75	150	>1,14	PP	PP
EBA22AI	-	7035	168	75	150	>1,05	PP	Inox
EBA33PP	-	7035	168	110	150	>1,41	PP	PP
EBA44AI	-	7035	168	110	150	>1,40	PP	Inox