

PP High capacity floor drain 1 outlet, high version

Especially designed for yards, garages cellars and any areas where a high drainage capacity is required.

Material: Polypropylene

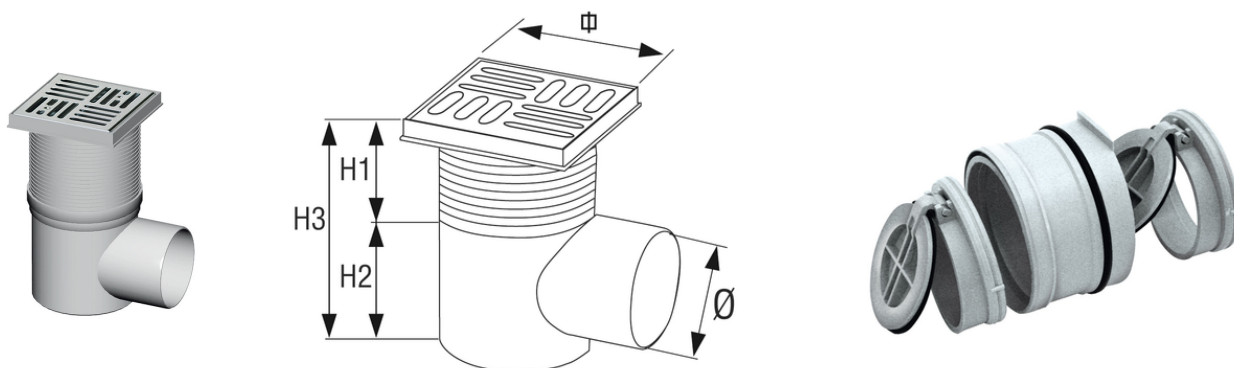
Grill 150x150 mm

Advantages:

- inspection basket
- 360° adjustable riser
- easy inspection
- an anti-backflow device can be fitted in to prevent back flooding (ref. EDP1104).

All products can be classified in load class K3 in accordance with regulation EN 1253 (resistance >300 kg). All tests have been carried out at Aliaxis laboratories.

Notes: With non-return element included in the Codes EBAK4AI - EBAK3PP



| Reference | tooltiplmage | RAL | H1 (mm) | Ø (mm) | Dim (mm) | H2 (mm) | h3MmMin | h3MmMax | l/s | Material | Grill |
|-----------|--------------|------|---------|--------|----------|---------|---------|---------|-------|----------|-------|
| EAL22AI | - | 7035 | 90 | 75 | 150 | 155 | 170 | 245 | >1,05 | PP | Inox |
| EAL33PP | - | 7035 | 90 | 110 | 150 | 155 | 170 | 245 | >1,41 | PP | PP |
| EAL44AI | - | 7035 | 90 | 110 | 150 | 155 | 170 | 245 | >1,40 | PP | Inox |