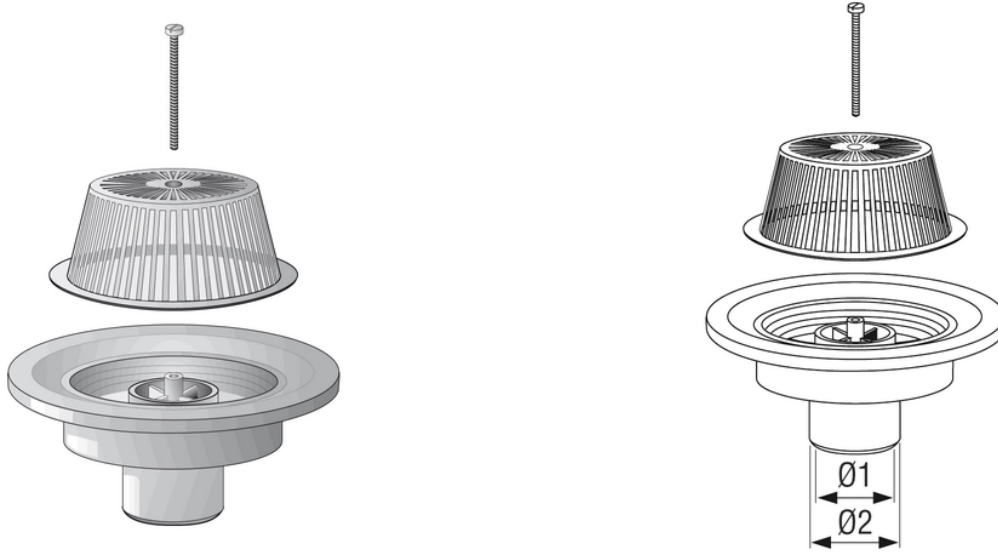


# PVC roof outlet

Especially designed for yards, garages cellars and any areas where a high drainage capacity is required.



Reference	tooltiplmage	RAL	Ø1 (mm)	Ø2 (mm)	l/s
1992204	-	7035	63	75	1,8
1992504	-	7035	100	110	1,8