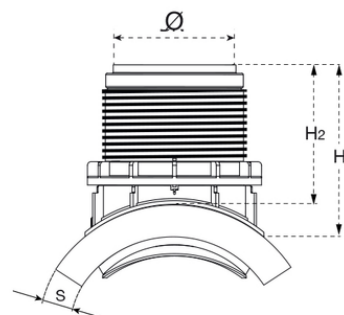
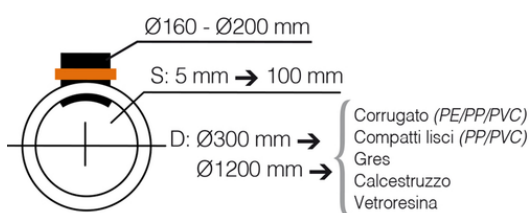


Easy Clip Link Ø160

Mechanical saddle for structured, compact solid wall, clay, concrete and GRP pipes.
 Standard lip ring
 Included one tube of lubricant: Camon scivolina Art. 6741500 jar gr. 150

GUIDE TO CHOOSE THE RIGHT MECHANICAL SADDLE <https://configuratore.redi.it/>



Reference	tootiplmage	certificate	H1 (mm)	\varnothing (mm)
1A16L58	-	CSTB: ANF EN 1401 / MPA: DIN EN 13598-1	255	160
1C16L58	-	CSTB: ANF EN 1401 / MPA: DIN EN 13598-1	255	160
1D16L58	-	CSTB: ANF EN 1401 / MPA: DIN EN 13598-1	255	160
1E16L58	-	CSTB: ANF EN 1401 / MPA: DIN EN 13598-1	255	160
1G16L58	-	CSTB: ANF EN 1401 / MPA: DIN EN 13598-1	255	160
1H16L58	-	CSTB: ANF EN 1401 / MPA: DIN EN 13598-1	255	160
1J16L58	-	CSTB: ANF EN 1401 / MPA: DIN EN 13598-1	255	160
1K16L58	-	CSTB: ANF EN 1401 / MPA: DIN EN 13598-1	255	160
1X16L58	-	CSTB: ANF EN 1401	205	160
1Y16L58	-	CSTB: ANF EN 1401 / MPA: DIN EN 13598-1	205	160
1Z16L58	-	CSTB: ANF EN 1401	205	160