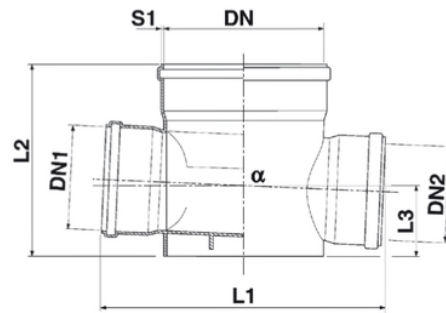


Inspection chamber

NOTE: Gasket Standard Lip Ring
RAL 7037 Grey



Reference	tooltiplmage	DN (mm)	DN1 (mm)	DN2 (mm)	S1 (mm)	L1 (mm)	L2 (mm)	L3 (mm)	α	RAL	Type
1943042	-	250	125	125	4,0	406	300	110	2°	7037	-
1953042	-	315	125	125	5,0	459	320	115	2°	7037	-
1943242	-	250	160	160	4,0	436	300	110	2°	7037	-
1953242	-	315	160	160	5,0	491	320	115	2°	7037	-
1962942	-	400	160	160	7,0	570	412	148	2°	7037	upon request