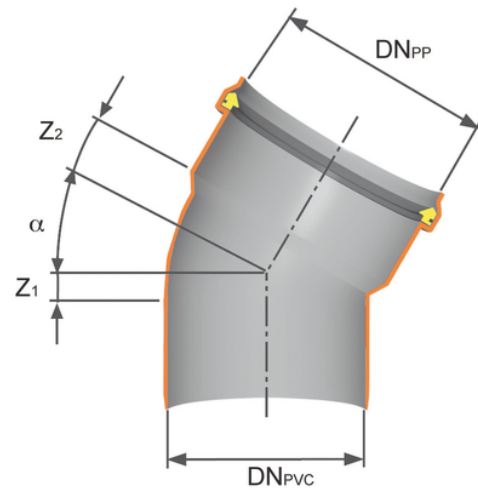


PP-PVC reducing bends (Ø110-100)

Material: PVC



Reference	tooltipImage	Z1 (mm)	Z2 (mm)	α	DN PP (mm)	DN PVC (mm)
01011R2	-	15	15	15°	110	100
0041552	-	32	32	45°	110	100
07111R2	-	51	66	87°	110	100