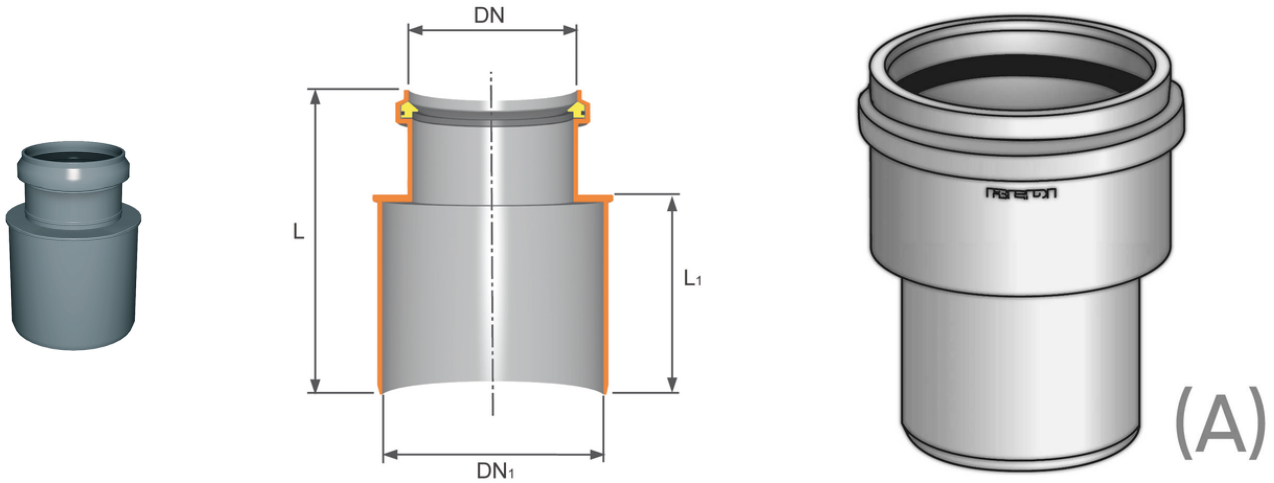


# PVC-PP adaptors / invert reducer



Reference	tooltiplmage	Type	L (mm)	L1 (mm)	DN Female	DN Male	Material
063558M	-	A	73	52	40	40	PVC
063568M	-	A	83	52	50	50	PVC
D501212	-	A	-	-	125	125	PVC
053075M	-	-	-	-	63	75	PVC
Z6868PP	-	-	190	78,5	75	80	PP
0503312	-	-	-	-	75	100	PVC
0531012	-	-	-	-	90	100	PVC
0531152	-	-	132	80	90	110	PVC
Z5331PP	-	-	123	66	100	110	PP
0533152	-	-	-	-	100	110	PVC
0513252	-	-	190	91	110	125	PVC