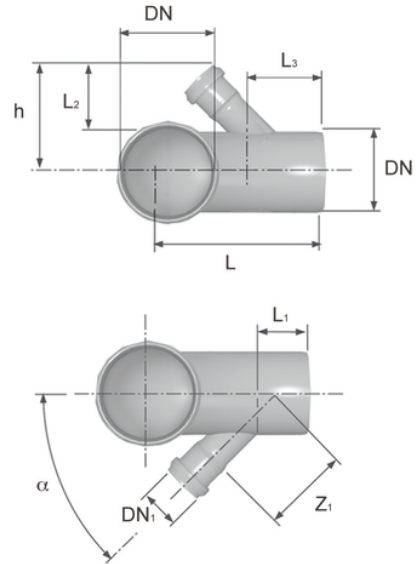


WC bend 87°30' PP with 2 side-inlets

Material: PP



| Reference | tooltiplimage | H (mm) | DN1 (mm) | Z1 (mm) | L1 (mm) | L2 (mm) | L3 (mm) | α | DN Cast Iron | DN (mm) | Version |
|-----------|---------------|--------|----------|---------|---------|---------|---------|----------|--------------|---------|--------------|
| Z2344PP | - | 132 | 40 | 88 | 66 | 68 | 87 | 45° | 40 | 110 | upon request |
| Z2355PP | - | 132 | 50 | 90 | 61 | 68 | 90 | 45° | 50 | 110 | upon request |