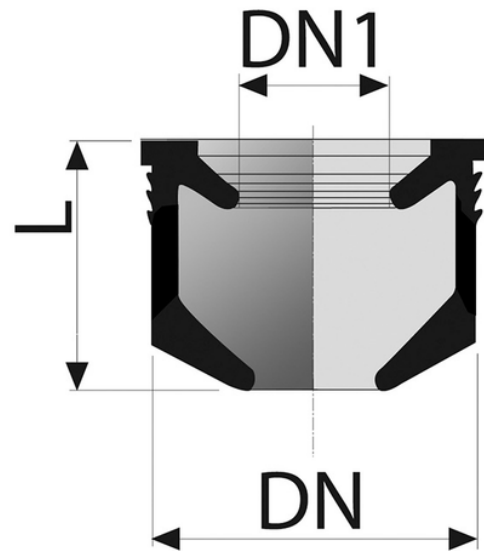
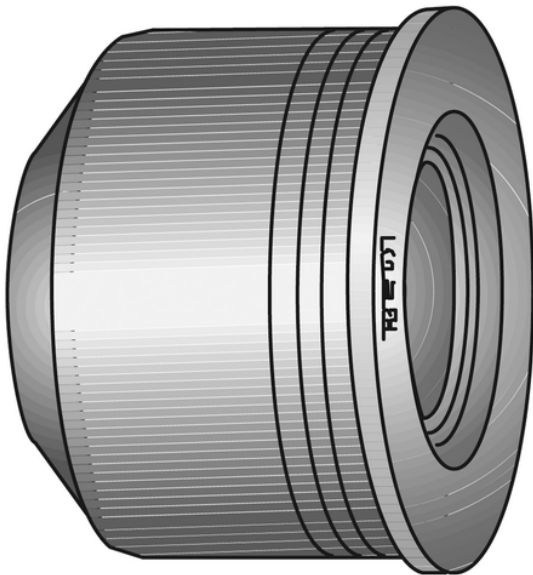


# Gasket Long

- EN 1329 Solvent Welded PVC-U Fittings
- B s2 d0 Fire Reaction Euroclass



Reference	tooltiplmage	DN1 (mm)	L (mm)	DN (mm)
68255LU	-	1"	33	50
68260LU	-	1" 1/2	33	50
68265LU	-	1" 1/4	33	50