

STUDOR Mini Vent with adapter

This Mini-Vent advanced Air Admittance Valves (AAVs) protects the trap seals in the drainage system by allowing the intake of air, so that the right level of pressure within the drainage system is maintained.

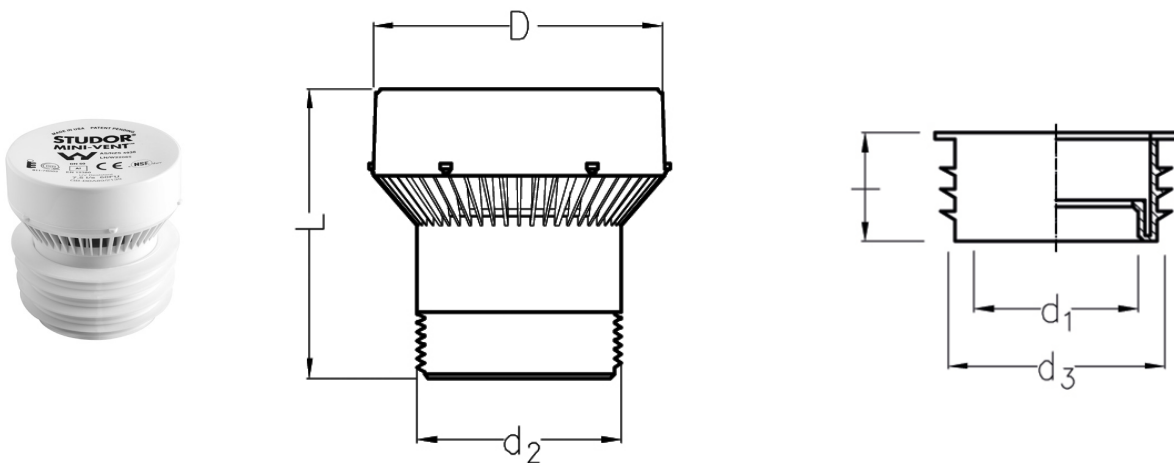
The device is very easy to fit, and will decrease the amount of pipes needed within your drainage system installation.

This patented and unique design can provide drainage solutions for bad odours and sewer smells in existing buildings (by retrofitting), plus it should be used when considering new builds and during the design of drainage systems. Benefits of using the Mini-Vent include cost and time savings.

The Mini-Vent is discreet and will stop all waste water smells. We like to think that because you will save metres of pipe work too, it will have sustainability advantages and environmental benefits.

The Mini-Vent is tested to be resistant to extreme temperatures (-20°C to +60°C) in accordance with the AI rating of EN12380.

Capacity: 7.5 litres/second at -250 Pa (10 Pa = 1mm water gauge)



Reference	tooltiplmage
ST49018	-