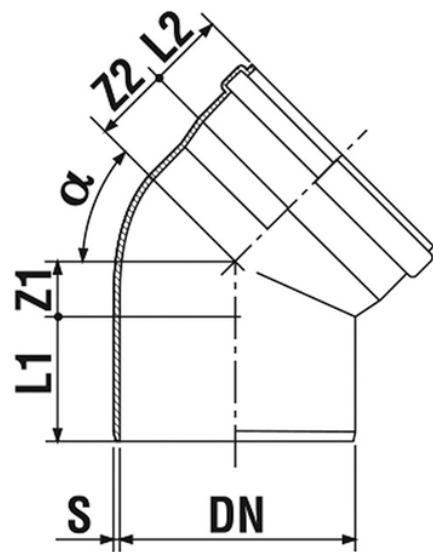


# Bend 15° M/F

Push-Fit PVC-U Pipe and Fittings  
 13 dB - 2 l/s Acoustic Performance  
 B s1 d0 Fire Reaction Euroclass

Thermoplastic mineral-reinforced material PVC-U  
 Ring jointed sockets fitted with certified elastomeric lipings  
 Color: RAL 9005 - Black



Reference	tooltiplmage	Colour	S (mm)	Z1 (mm)	Z2 (mm)	L1 (mm)	L2 (mm)	$\alpha$	DN (mm)	Version
01004P8	-	Black	3	3	27	48	41	15°	40	-
01005P8	-	Black	3	4	17	53	45	15°	50	-
01007P8	-	Black	3	5	18	50	45	15°	75	-
01009P8	-	Black	5,1	11	14	59	55,7	15°	90	High thicknes
01011P8	-	Black	3,2	9	22	62	57	15°	110	-
01012P8	-	Black	3,2	10	22	68	63	15°	40	-
01016P8	-	Black	4	14	28	82	72	15°	160	-