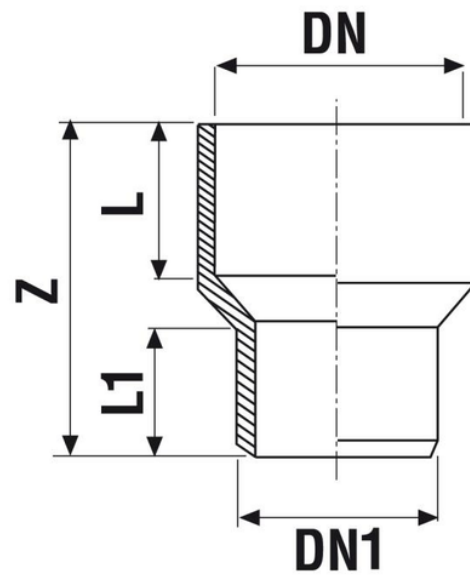


# Technical coupling M/F

Push-Fit PVC-U Pipe and Fittings  
 13 dB - 2 l/s Acoustic Performance  
 B s1 d0 Fire Reaction Euroclass

Thermoplastic mineral-reinforced material PVC-U  
 Ring jointed sockets fitted with certified elastomeric lipings  
 Color: RAL 9005 - Black



Reference	tooltiplage	Colour	DN1 (mm)	Z (mm)	L1 (mm)	DN (mm)
09305P8	-	Black	40	67,5	26,5	50