

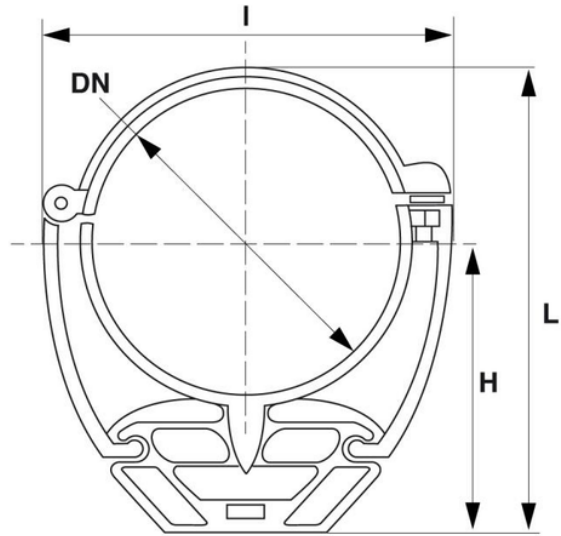
# Technical bend long version M/F

13 dB - 2 l/s Acoustic Performance

B s1 d0 Fire Reaction Euroclass

Thermoplastic mineral-reinforced material PVC-U

Color: RAL 9005 - Black



Reference	tooltiplmage	Colour	L (mt)	I [mm]	Ø fixing screw	DN (mm)
PHONK50	-	Black	76	78	M8	50
PHONK75	-	Black	112	111	M8	75
PHONK90	-	Black	144	131	M8	90
PHONK10	-	Black	160	140	M7	100
PHONK11	-	Black	171	150	M8	110
PHONK12	-	Black	213	170	M10	125
PHONK16	-	Black	245	213	M10	160