

Non Return Valve OTTIMA - Single Socket - RRJ - All plastic smooth materials \varnothing OD

Stainless steel flap

CE Marked according to the norm EN13564

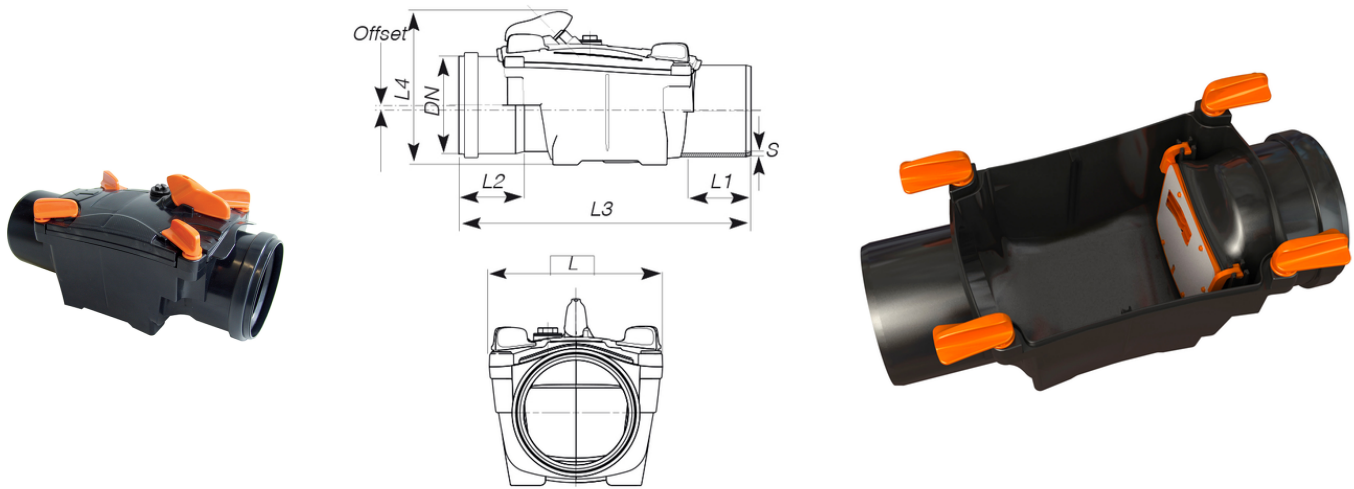
Certified by German Institute LGA

Inlet and outlet of the valves are in accordance with EN 1401 and EN 1329

Tightness 0,5 bar

Material U-PVC

Gasket Fixed Ring



| Reference | tooltiplmage | Colour | DN (mm) | S (mm) | L (mm) | L1 (mm) | L2 (mm) | L3 (mm) | L4 (mm) | Offset (mm) | Flaps | Flap Stainless Steel |
|-----------|--------------|--------|---------|--------|--------|---------|---------|---------|---------|-------------|--------|----------------------|
| 11R1048 | - | Black | 100 | 3,0 | 171 | 60 | 57 | 338 | 184 | 7 | TYPE 1 | Flap Inox |
| 11R1148 | - | Black | 110 | 3,2 | 171 | 65 | 63 | 350 | 184 | 7 | TYPE 1 | Flap Inox |
| 11R1248 | - | Black | 125 | 3,2 | 255 | 73 | 69 | 458 | 226 | 9 | TYPE 1 | Flap Inox |
| 11R1648 | - | Black | 160 | 4,0 | 255 | 83 | 82 | 491 | 226 | 9 | TYPE 1 | Flap Inox |