

Non Return Valve OTTIMA - Single Socket - RRJ - All plastic smooth materials øOD

Stainless steel flap

CE Marked according to the norm EN13564

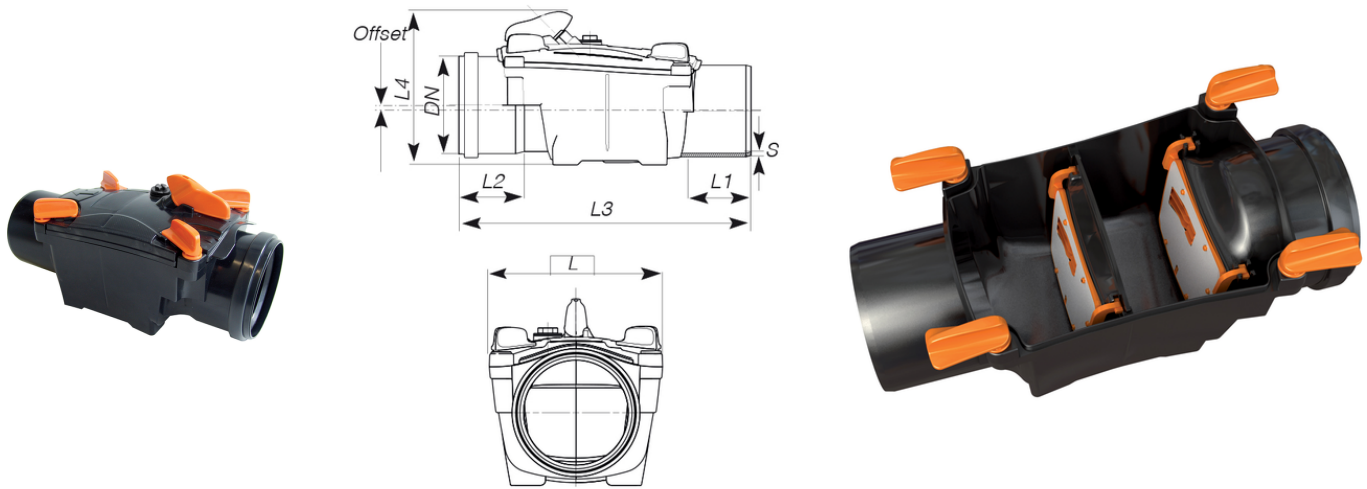
Certified by German Institute LGA

Inlet and outlet of the valves are in accordance with EN 1401 and EN 1329

Tightness 0,5 bar

Material U-PVC

Gasket Fixed Ring



Reference	tootiplmage	Colour	DN (mm)	S (mm)	L (mm)	L1 (mm)	L2 (mm)	L3 (mm)	L4 (mm)	Offset (mm)	Flaps	Flap Stainless Steel	Version
12R1048	-	Black	100	3,0	171	60	57	338	184	7	TYPE 2	Flap Inox	-
12R1148	-	Black	110	3,2	171	65	63	350	184	7	TYPE 2	Flap Inox	upon request
12R1248	-	Black	125	3,2	255	73	69	458	226	9	TYPE 2	Flap Inox	-
12R1648	-	Black	160	4,0	255	83	82	491	226	9	TYPE 2	Flap Inox	-