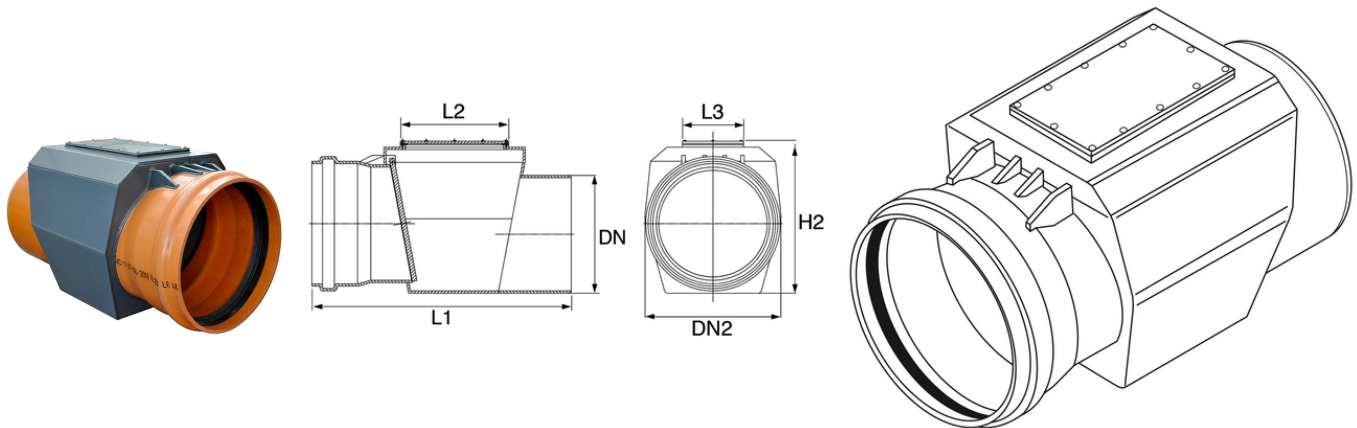


# Non Return Valve O-Ring (Assembl.SN2)

Sigle Socket - Standard lip Ring

Wide inspection access, inox screws

the article is fabricated by using PVC pipe SN4 conform to EN1401



Reference	tooltiplmage	DN (mm)	H (mm)	L1 (mm)	L2 (mm)	L3 (mm)	L4 (mm)	RAL	Flaps
T555191	-	500	645	1100	460	260	660	RAL 8023 + black	TYPE 0
T556391	-	630	775	1300	460	260	750	RAL 8023 + black	TYPE 0