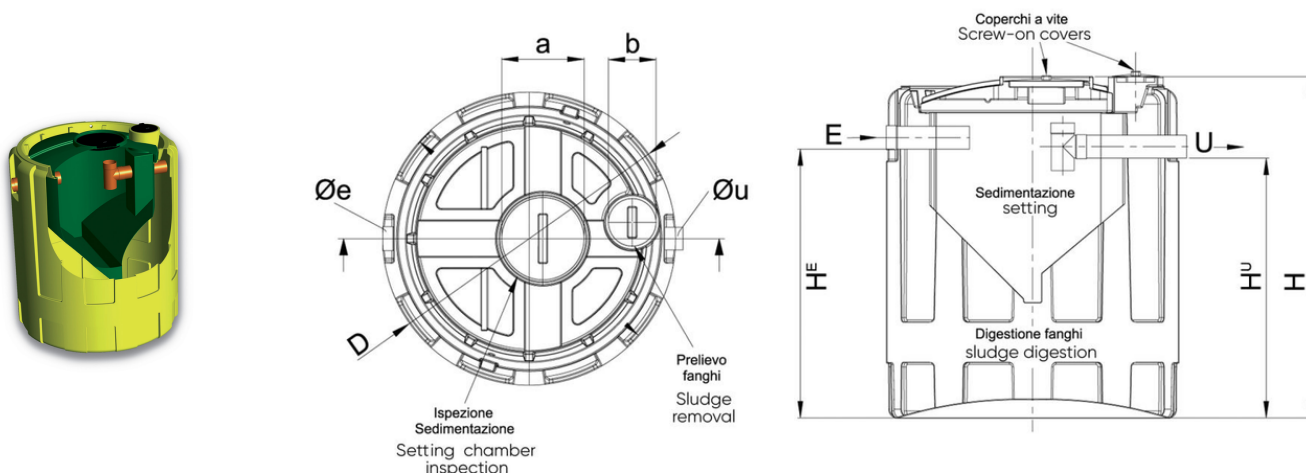


BIO HT, imhoff tank

One-piece polyethylene Imhoff tank with ribbed structure and reinforced roof.

Treatment performance:

- DBOS reduction = 40%
- MLSS reduction = 60%



Reference	tootiplmage	D (cm)	Height H (cm)	HE (cm)	HU (cm)	V sett (m ³)	V dig (m ³)	ØE e ØU (mm)	Total Volume (l)	a (cm)	b (cm)	Item	Users (E.I.)
IS101HT	-	80	80	60	56	0,12	0,28	100	400	30	-	BIO FAMILY HT 400	3
IS102HT	-	80	120	100	96	0,16	0,44	100	600	30	-	BIO FAMILY HT 800	4
IS103HT	-	120	120	100	97	0,24	0,86	100	1.100	40	-	BIO FAMILY HT 1000	6
IS104HT	-	120	150	125	122	0,4	1,1	125	1.500	40	-	BIO FAMILY HT 1500	10
IS105HT	-	120	190	165	162	0,6	1,5	125	2.100	40	-	BIO FAMILY HT 2000	15
IS170HT	-	160	185	147	144	0,8	2,0	125	2.800	40	20	BIO TOP HT 3000	20
IS171HT	-	160	235	197	194	0,9	2,9	140	3.800	40	20	BIO TOP HT 4000	23
IS172HT	-	190	215	177	174	1,6	4,0	140	5.600	40	20	BIO TOP HT 5000	40
IS173HT	-	190	255	217	214	2,0	5,0	140	7.000	40	40	BIO TOP HT 6000	50
IS174HT	-	220	260	211	208	2,6	6,5	160	9.100	40	40	BIO TOP HT 8000	65
IS175HT	-	220	285	236	233	3,0	7,5	160	10.500	40	40	BIO TOP HT 9000	75

BIO HT, imhoff tank

Reference	tooltipImage	D (cm)	Height H (cm)	HE (cm)	HU (cm)	V sett (m ³)	V dig (m ³)	ØE e ØU (mm)	Total Volume (l)	a (cm)	b (cm)	Item	Users (E.I.)
IS176HT	-	220	310	261	258	3,4	8,5	160	11.900	40	40	BIO TOP HT 10000	85