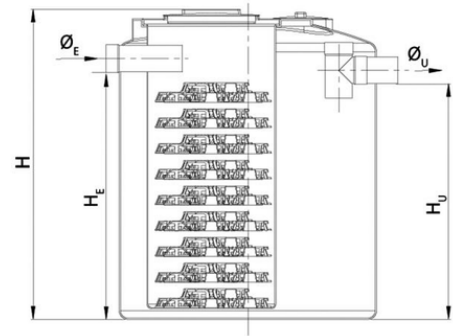
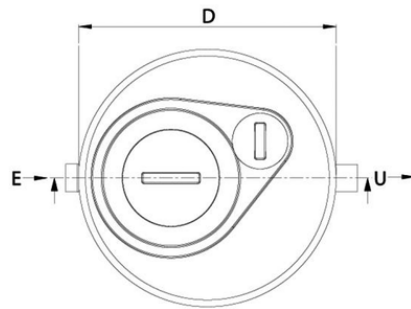


ANAPACKAGE, anaerobic percolating filter

One-piece polyethylene packaged Anaerobic Percolating Filter, suitable for treating domestic and commercial wastewater for subsequent discharge to suitable final destination.



Reference	tootiplmage	D (cm)	Height H (cm)	HE (cm)	HU (cm)	ØE e ØU (mm)	Capacity (litres)	Item	Users (E.I.)
IS7001A	-	80	120	102	97	100	500	Tipo 500	5
IS7002A	-	110	122	95	92	100	1.000	Tipo 1000	10
IS7003A	-	120	140	115	110	125	1.500	Tipo 1500	15
IS7004A	-	120	195	170	165	140	2.000	Tipo 2000	25
IS7005A	-	147	200	170	165	140	3.000	Tipo 3000	35
IS7006A	-	147	245	215	210	160	4.000	Tipo 4000	50
IS7008A	-	215	220	173	168	160	6.000	Tipo 6000	70
IS7009A	-	215	270	217	212	160	8.000	Tipo 8000	80
IS7010A	-	215	305	251	246	200	10.000	Tipo 10000	100