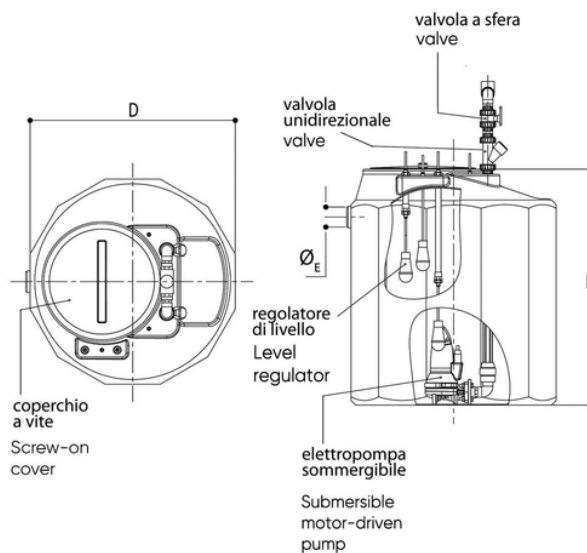
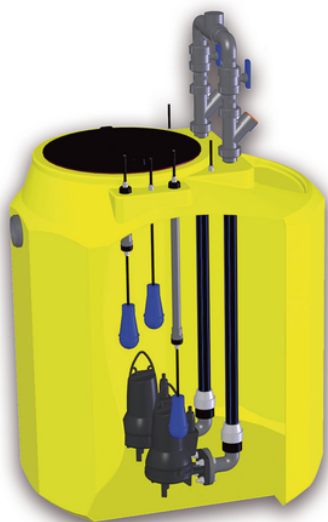


# PRATICA FAMILY type 1000, lift station

Lifting surface water and sewage with high flow rates



Reference	tootiplmage	D (cm)	Height H (cm)	ØE (mm)	Electrical Power 1 pump (Kw)	Capacity (litres)	Voltage (V)	Flow rate Q (m <sup>3</sup> /h)	Pump delivery	Item	prevalenceHM
ISO4304	-	120	140	100	0,38	1.000	220	0-10	1 ½	Tipo 1000 A1	0-7
ISO4305	-	120	140	100	0,38	1.000	220	0-20	2	Tipo 1000 A2	0-7