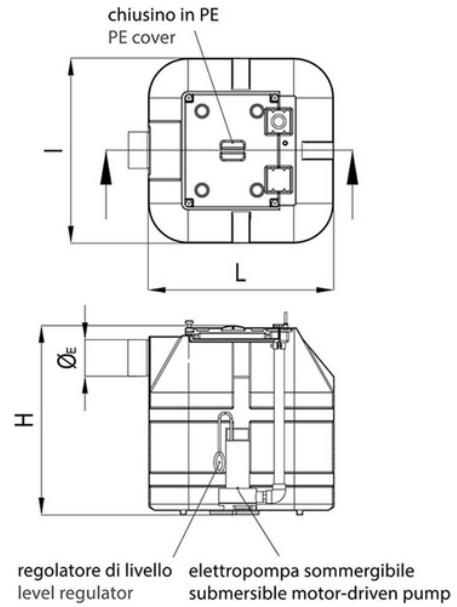
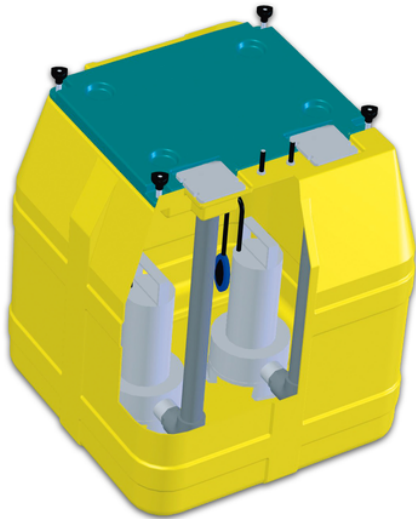


PRATICA type 250-500, lift station

One-piece polyethylene Lift Station for wastewater generated by small domestic facilities.



Reference	tooltiplmage	Height H (cm)	ØE (mm)	Electrical Power 1 pump (Kw)	l x L (cm)	Capacity (litres)	Voltage (V)	Flow rate Q (m ³ /h)	Pump delivery	Item	Users (E.I.)	prevalenceHM
ISO4310	-	75	100	0,55	66x66	250	220	0-14	1½	Tipo 250 B1	5	2-9
ISO4311	-	75	100	0,55	66x66	250	220	0-28	1½	Tipo 250 B2	10	2-9
ISO4312	-	85	100	0,55	86x86	500	220	0-14	1½	Tipo 500 B1	15	2-9
ISO4313	-	85	100	0,55	86x86	500	220	0-28	1½	Tipo 500 B2	20	2-9