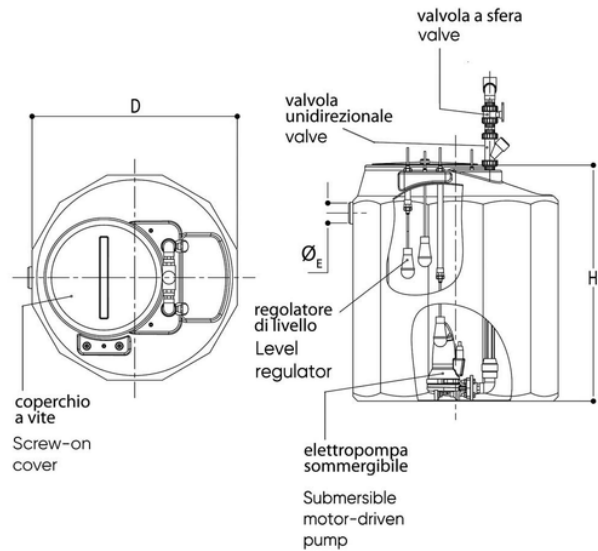


PRATICA ROTO type 1000, lift station

One-piece polyethylene Lift Station for wastewater generated by small domestic facilities.



Reference	tooltiplmage	D (cm)	Height H (cm)	ØE (mm)	Electrical Power 1 pump (Kw)	Capacity (litres)	Voltage (V)	Flow rate Q (m ³ /h)	Pump delivery	Item	Users (E.I.)	prevalenceHM
ISO4221	-	120	140	100	1,4	1.000	220	0-7	1½	Tipo 1000 R1	30	2-20
ISO4222	-	120	140	100	1,4	1.000	220	0-14	2	Tipo 1000 R2	50	2-20