

Roof outlet Akasion XL75 PVC

Roof outlet with PVC clamp flange acc. to EN 1253 for siphonic roof drainage systems. Suitable for homogeneous securing/sealing of PVC roof sealing membrane.

Delivery includes: Air baffle with integrated leaf guard (UV-stabilized).

Roof outlet incl. PVC flange.

Connection to HDPE.

Heated models include a 230V heating element.

Application: Cold roof/warm roof.

Insulation thickness: between 60 and 330 mm.

Connection to HDPE: with electrofusion coupler d75 mm Code 410795.

Drilling core size: $\varnothing \approx 80$ mm.

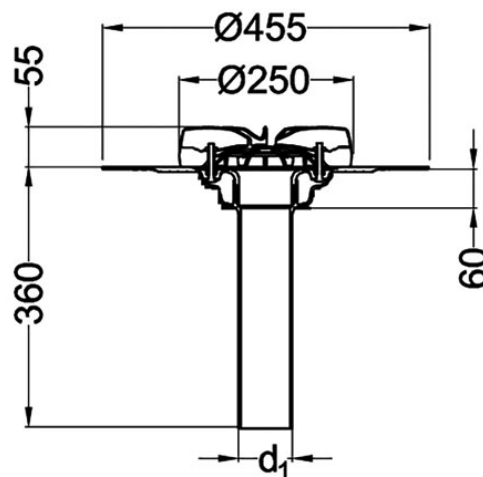
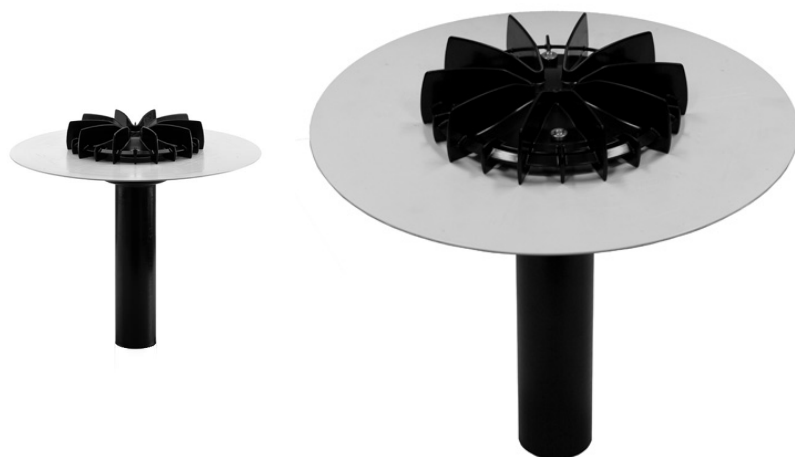
140 mm in combination with Code 747711 and 747713.

160 mm in combination with Code 747722.

Outlet: $d_{1\leftarrow} = 75$ mm.

Performance: 1-17,7 l/s.

Material: ASA, PVC, HDPE.



Reference	Name	tootiplmage	Kg	d1	Type	description
74 75 14	Roof outlet Akasion XL75 PVC	-	1,673	75	Akasion XL75 PVC	PVC foil
74 75 15	Roof outlet Akasion XL75 PVC	-	1,797	75	Akasion XL75 H PVC	PVC foil, heated