

Roof outlet Akasison XL75 FPO/ TPO

Roof outlet with PP clamp flange acc. to EN 1253 for siphonic roof drainage systems. Suitable for homogeneous securing/sealing of FPO roof sealing membrane.

Delivery includes: Air baffle with integrated leaf guard (UV-stabilized).

Roof outlet incl. FPO flange.

Connection to HDPE.

Heated models include a 230V heating element.

Application: Cold roof/warm roof.

Insulation thickness: between 60 and 330 mm.

Connection to HDPE: with electrofusion coupler d75 mm Code 410795.

Drilling core size: Ø ? 80 mm.

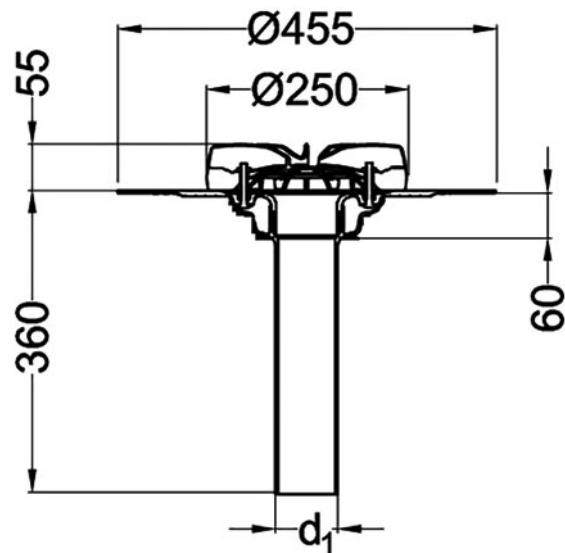
140 mm in combination with Code 747711 and 747713.

160 mm in combination with Code 747722.

Outlet: $d_{1<>}$ = 75 mm.

Performance: 1-17,7 l/s.

Material: ASA, PP, HDPE.



Reference	Name	tooltiplmage	d1	Type	description
74 75 16	Roof outlet Akasison XL75 FPO/TPO	-	75	Akasison XL75 FPO	FPO
74 75 17	Roof outlet Akasison XL75 FPO/TPO	-	75	Akasison XL75 H FPO	FPO, heated