

Roof outlet Akasion XL75 C

Roof outlet with clamp flange acc. to EN 1253 for siphonic roof drainage systems. Suitable for mechanical securing/sealing of roof sealing membrane.

Delivery includes: Air baffle with integrated leaf guard (UV-stabilized).

Clamp flange with suitable seal.

Connection to HDPE.

Heated models include a 230V heating element.

Application: Cold roof/warm roof.

Insulation thickness: between 60 and 330 mm.

Connection to HDPE: with electrofusion coupler d75 mm Code 410795.

Outlet: $d_{1<>}$ = 75 mm.

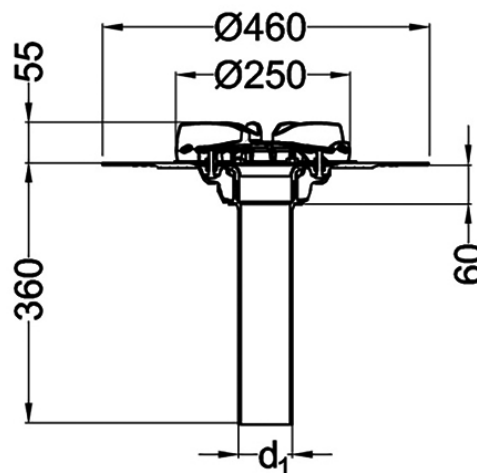
Drilling core size: \varnothing ? 80 mm.

140 mm in combination with Code 747711 and 747713.

160 mm in combination with Code 747722.

Performance: 1-17,7 l/s.

Material: ASA, stainless steel, HDPE.



Reference	Name	tooltiplmage	Kg	d1	Type	description
74 75 00	Roof outlet Akasion XL75 C	-	2,040	75	Akasion XL75 C	Clamp flange
74 75 01	Roof outlet Akasion XL75 C	-	2,164	75	Akasion XL75 HC	Clamp flange, heated