

Roof outlet Akasion XL75 B

Akasion roof outlet with prefixed bituminous flange acc. to EN 1253 for siphonic roof drainage systems. Suitable for roofs with bituminous roof sealing.

Delivery includes: Akasion air baffle with integrated leaf guard (UV-stabilized).

Prefixed bituminous flange.

Connection to HDPE.

Stainless steel clamp ring

Fireproof lid for protection during application of roofing membrane

Heated models include a 230V heating element.

Application: Cold roof/warm roof.

Insulation thickness: between 60 and 330 mm.

Connection to HDPE: with electrofusion coupler d75 mm Code 410795.

Outlet: $d_{1\>} = 75$ mm.

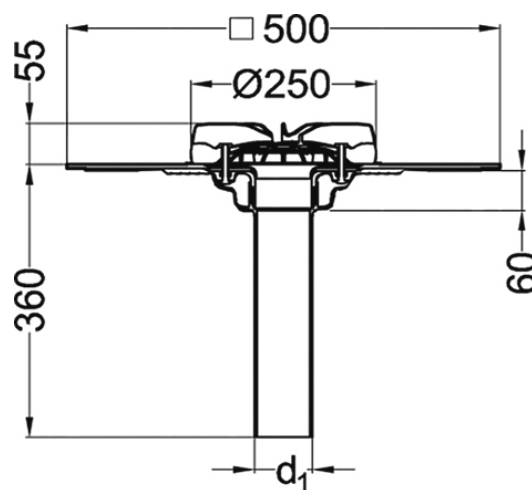
Drilling core size: $\varnothing \approx 80$ mm.

140 mm in combination with Code 747711 and 747713.

160 mm in combination with Code 747722.

Performance: 1-17,7 l/s.

Material: ASA, stainless steel, bitumen, HDPE.



Reference	Name	tooltiplmage	Kg	d1	Type	description
74 75 02	Roof outlet Akasion XL75 B	-	3,355	75	Akasion XL75 B	Bitumen
74 75 03	Roof outlet Akasion XL75 B	-	3,479	75	Akasion XL75 HB	Bitumen, heated