

Akasion XL75 installation socket

Akasion XL75 installation socket for pre-completion building drainage when insulation and roof outlets are not yet installed.

Delivery includes: Galvanised plate.

HDPE socket with SBR seal.

Flange and EPDM seal.

Application: Warm roof and applications according to DIN 18234

Connection pipe system: Electrofusion coupler d 75 mm Code 410795.

Ring groove for snap socket d75 mm Art. Nr. 400730.

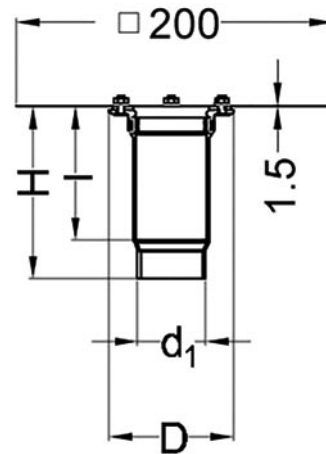
Outlet: $d_{1<>} = 75 \text{ mm}$.

Drilling core size: $\varnothing \text{ ? } 140 \text{ mm}$.

Material: HDPE, galvanised steel, stainless steel, SBR, EPDM.

n = number of bolts

M = thread



Reference	Name	tooltiplmage	Kg	d1	D	H	n	M	l
74 77 13	Akasion XL75 installation socket	-	4,543	75	140	190	4	8	120