

Akasion XL75 reinforcement plate without connector

Akasion XL75 reinforcement plate according to DIN 18807 for the vapour barrier connection in siphonic roof drainage systems. Applied in insulated metal roofs in combination with roof outlet Akasion XL75. At the top of the metal plate a vapour barrier foil or bitumen can be applied. In combination with specific roofs the metal plate can be used as reinforcing plate.

Delivery includes: Galvanised plate.

EPDM seal.

Application: Warm roof and applications acc. to DIN 18234.

Dimension: $d_{1 \times} = 75$ mm.

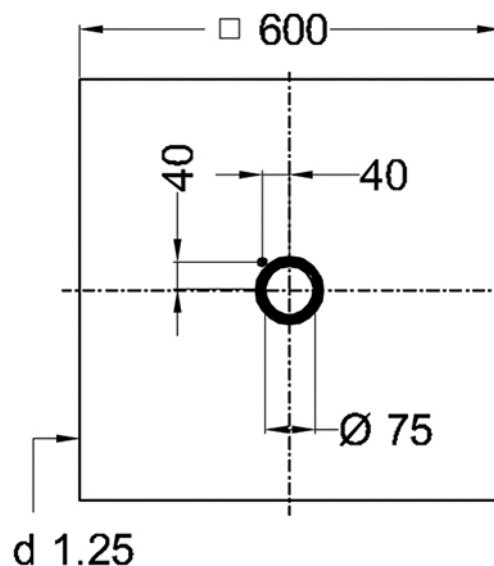
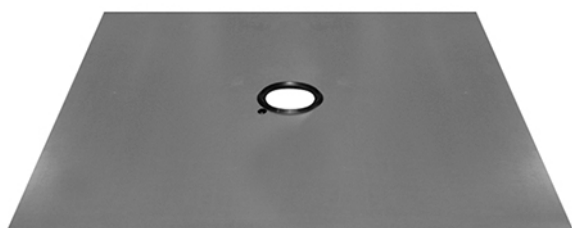
Drilling core size: $\varnothing \text{ } \text{ } 100$ mm.

Performance: 1-17,7 l/s.

Material: Galvanised steel, EPDM and PVC.

n = number of bolts

M = thread



Reference	Name	tooltiplmage	Kg	D
74 77 12	Akasion XL75 reinforcement plate without connector	-	4,543	140