

Roof outlet Akasison XL75 HR C

Akasison roof outlet with clamp flange acc. to EN 1253 for siphonic roof drainage systems. Suitable for mechanical securing/sealing of roof sealing membrane.

Delivery includes: Akasison air baffle with integrated leafguard (UV-stabilized).

Clamp flange with suitable seal.

Connection to HDPE.

Heated models include a 230V heating element.

Application: Cold roof/warm roof.

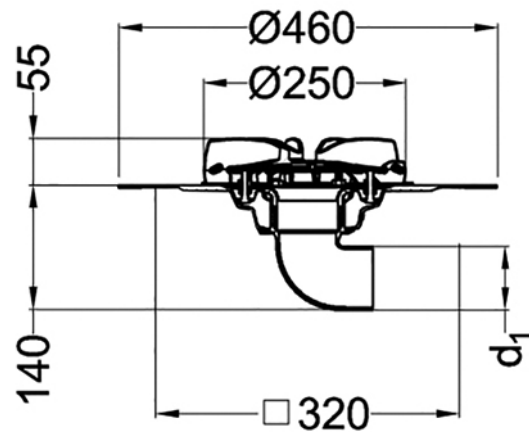
Insulation thickness: 140 mm.

Connection to HDPE: with electrofusion coupler d75 mm Code 410795.

Outlet: $d_{1<>}$ = 75 mm horizontally.

Performance: 1-17,7 l/s.

Material: ASA, stainless steel, HDPE.



Reference	Name	tooltiplmage	Kg	d1	Type	description
74 75 80	Roof outlet Akasison XL75 HR C	-	2,670	75	Akasison XL75 HR C	Clamp flange
74 75 81	Roof outlet Akasison XL75 HR C	-	2,800	75	Akasison XL75 HR H C	Clamp flange, heated