

Roof outlet Akasion XL75 HR B

Akasion roof outlet with prefixed bituminous flange acc. to EN 1253 for siphonic roof drainage systems. Suitable for roofs with bituminous roof sealing.

Delivery includes: Akasion air baffle with integrated leafguard (UV-stabilized).

Prefixed bituminous flange.

Connection to HDPE.

Stainless steel clamp ring

Fireproof lid for protection during application of roofing membrane

Heated models include a 230V heating element.

Application: Cold roof.

Warm roof.

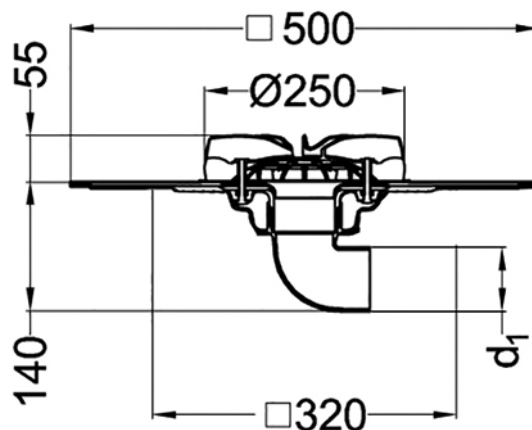
Insulation thickness: 140 mm.

Connection to HDPE: with electrofusion coupler d75 mm Code 410795.

Outlet: $d_1 >$ = 75 mm horizontally.

Performance: 1-17,7 l/s.

Material: ASA, stainless steel, bitumen, HDPE, EPS.



Reference	Name	tooltiplmage	Kg	d1	Type	description
74 75 82	Roof outlet Akasion XL75 HR B	-	2,300	75	Akasion XL75 HR B	Bitumen
74 75 83	Roof outlet Akasion XL75 HR B	-	2,430	75	Akasion XL75 HR H B	Bitumen, heated