

Roof outlet Akasison XL75 for metal gutter

Roof outlet for gutter acc. to EN 1253 for siphonic roof drainage systems. With holes for application in metal gutter.

Delivery includes: Air baffle with integrated leafguard (UV-stabilized).

Connection to HDPE.

Application: Gutter.

Insulation thickness: n.a.

Connection to HDPE: with electrofusion coupler d75 mm Code 410795.

Dimensions: $d_{1<>}$ = 75 mm.

L = 55 mm

S = 120 mm

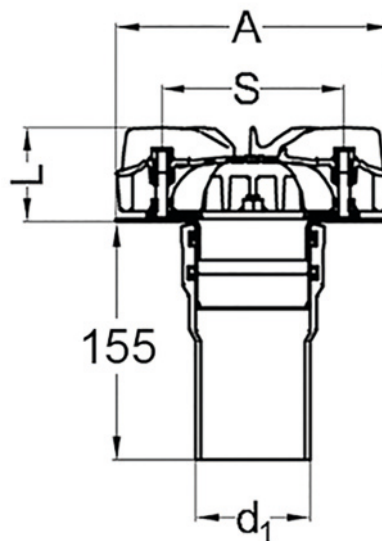
A = 180 mm

Outlet: $d_{1<>}$ = 75 mm.

Drilling core size: \varnothing ? 110 mm.

Performance: 1-18,0 l/s.

Material: ASA, RVS, PVC, HDPE.



Reference	Name	tooltiplmage	d1	Type	description
74 78 00	Roof outlet Akasison XL75 for metal gutter	-	75	Akasison XL75 MET	Metal gutter
74 78 02	Roof outlet Akasison XL75 for metal gutter	-	75	Akasison XL75 COV MET	Clad metal gutter