

Roof outlet Akasison XL75 for concrete gutter

Roof outlet for gutter acc. to EN 1253 for siphonic roof drainage systems.
Gutter outlet with holes for application in concrete gutter.

Delivery includes: Air baffle with integrated leafguard (UV-stabilized).

Knock-in bolts for installation concrete gutter.

Application: Gutter.

Insulation thickness: n.a.

Connection to HDPE: with electrofusion coupler d75 mm Code 410795.

Dimensions: $d_{1<>} = 75$ mm.

L = 55 mm

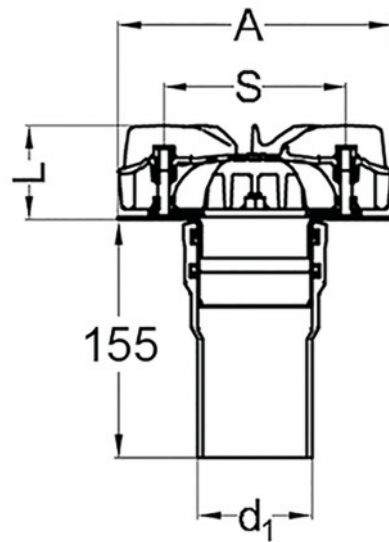
S = 120 mm

A = 180 mm

Drilling core size: $\varnothing ? 110$ mm.

Performance: 1-18,0 l/s.

Material: ASA, RVS, PVC, HDPE.



Reference	Name	tooltiplmage	d1	Type	description
74 78 01	Roof outlet Akasison XL75 for concrete gutter	-	75	Akasison XL75 CON	Concrete gutter
74 78 03	Roof outlet Akasison XL75 for concrete gutter	-	75	Akasison XL75 COV CON	Clad concrete gutter