

Roof outlet Akasison XL90 PVC

Roof outlet with PVC clamp flange acc. to EN 1253 for siphonic roof drainage systems. Suitable for homogeneous securing/sealing of PVC roof sealing membrane.

Delivery includes:

Akasison leaf guard set Code 749053

- Akasison air baffle with integrated leaf guard (UV-stabilized).
- Bolts.

Akasison XL90 roof outlet PVC Code 749044

- Roof outlet with PVC clamp flange for connection with PVC roof sealing membrane.
- Connection to HDPE.

Application: Cold roof/warm roof.

Insulation thickness: between 60 and 300 mm.

Connection to HDPE: Electrofusion coupler d90 mm Code 410995.

Dimensions: $d_{1<>} = 90$ mm.

H = 55 mm.

S = 455 mm.

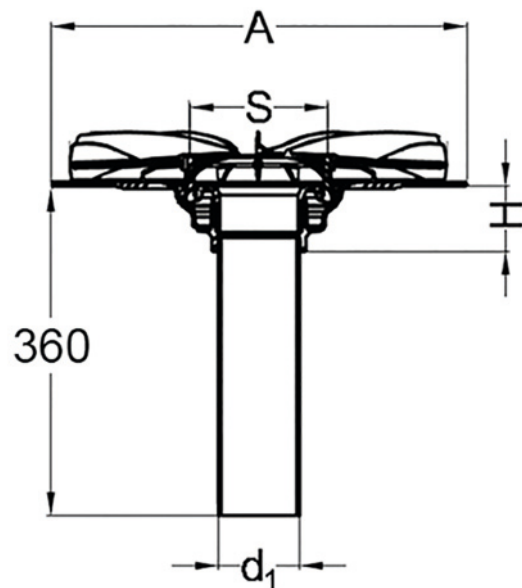
A = 180 mm.

Drilling core size: $\varnothing ? 100$ mm.

140 mm in combination with installation socket Code 749201.

Performance: 1-29,0 l/s.

Material: ASA, PVC, HDPE.



Reference	Name	tooltiplmage	d1	Type	description
74 90 04	Roof outlet Akasison XL90 PVC	-	90	Akasison XL90 PVC	PVC