

# Roof outlet Akasison XL90 FPO/PP

Roof outlet with UV-stabilized PP clamp flange acc. to EN 1253 for siphonic roof drainage systems. Suitable for homogeneous securing/sealing of FPO roof sealing membrane.

Delivery includes: Air baffle with integrated leaf guard (UV-stabilized).

Roof outlet incl. FPO/PP flange.

Connection to HDPE.

Application: Cold roof/warm roof.

Insulation thickness: between 60 and 300 mm.

Connection to HDPE: with electrofusion coupler d90 mm Code 410995.

Dimensions:  $d_{1<>} = 90$  mm.

: H = 55 mm.

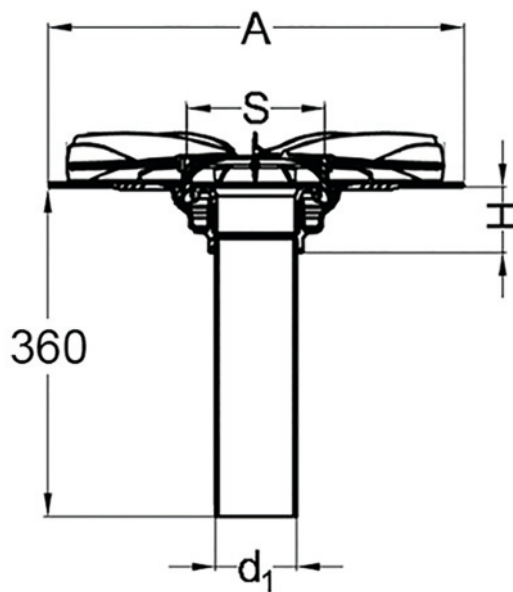
: S = 455 mm.

: A = 180 mm.

Drilling core size:  $\varnothing ? 100$  mm.

Performance: 1-29,0 l/s.

Material: ASA, PP, HDPE.



Reference	Name	tootiplmage	d1	Type	description
74 90 16	Roof outlet Akasison XL90 FPO/PP	-	90	Akasison XL90 FPO	PP