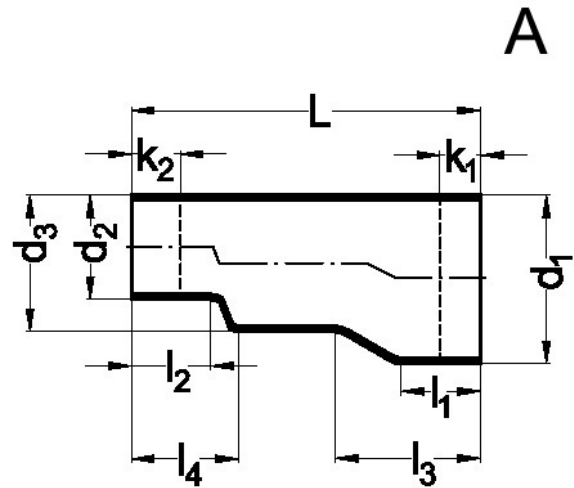


# Reducer eccentric long



Reference	Name	tooltiimage	Kg	l1	l2	l3	l4	k1	L	d2	Type	d3	k2
14 20 11	Reducer eccentric long	-	1,004	95	36	165	55	75	335	110	A	160	20
14 20 12	Reducer eccentric long	-	1,112	95	36	165	55	75	335	125	A	160	20
14 20 16	Reducer eccentric long	-	0,904	95	95	-	-	75	260	160	B	-	75
14 25 20	Reducer eccentric long	-	1,417	105	95	-	-	85	290	200	B	-	75
14 31 20	Reducer eccentric long	-	3,300	115	95	235	190	95	580	200	A	250	75
14 31 25	Reducer eccentric long	-	2,717	115	105	-	-	75	340	250	B	-	85